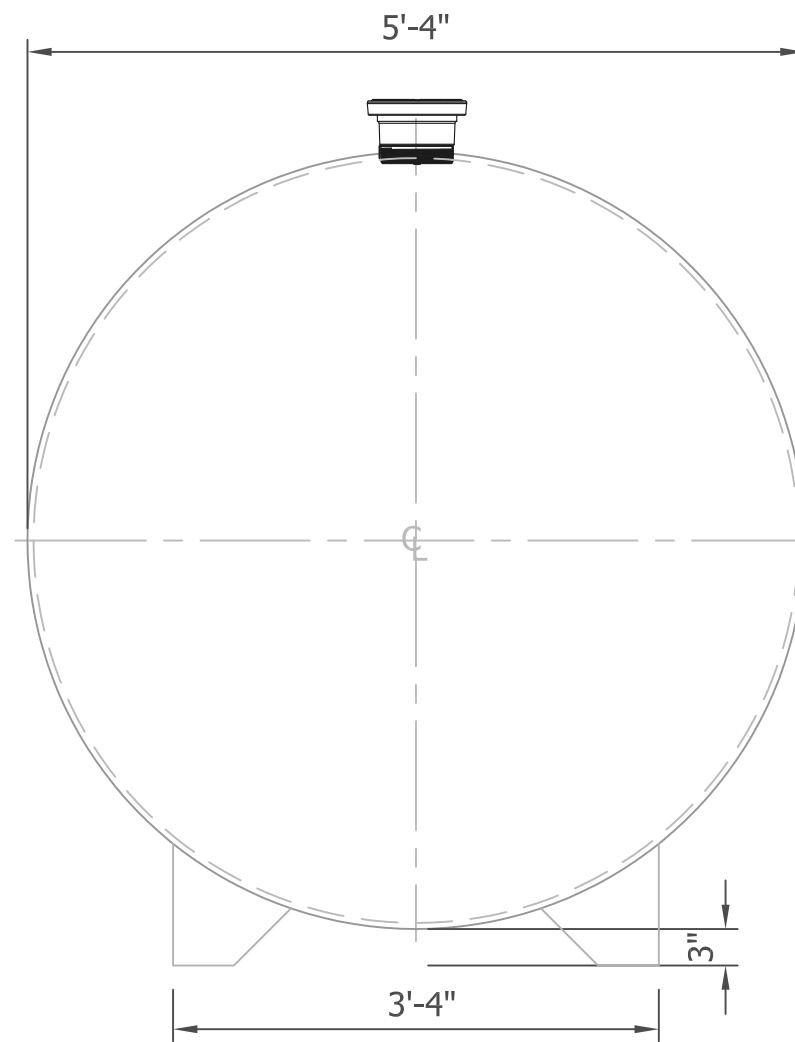


SIDE ELEVATION



END ELEVATION

GENERAL SPECIFICATIONS

1. ORDER QUANTITY: 1 TANK
2. NOMINAL CAPACITY: 2,000 GALLONS
3. VESSEL OPERATING PRESSURE: ATMOSPHERIC
4. VESSEL OPERATING TEMPERATURE: AMBIENT
5. CONSTRUCTION: LAP WELD
6. MATERIAL: MILD CARBON STEEL
7. TEST: PER UL142, SWRI
8. APPROVED LABELS: UL142, STI FLAMESHIELD
9. EXTERIOR COATING: SANDBLAST AND DTM WHITE ENAMEL
10. TANK ACCESSORIES TO BE PROVIDED AND INSTALLED BY OTHERS (UNLESS NOTED ELSEWHERE)

GENERAL DIMENSIONS

CAPACITY	DIAMETER	LENGTH	WEIGHT
2,000 GAL	5'-4"	12'-0"	3,600 LBS

GAUGE/THICKNESS

OUTER HEAD	OUTER SHELL	INNER HEAD	INNER SHELL
10 GA	10 GA	7 GA	7 GA

FITTING DETAIL

TAG NO.	DESCRIPTION	LOCATION	NOZZLE SIZE
N1	FILL	TOP	4" FNPT
N2	INTERSTITIAL GAUGE	TOP	2" FNPT
N3	GAUGE	TOP	2" FNPT
N4	EMERGENCY VENT	TOP	6" FNPT
N5	INTERSTITIAL EMERGENCY VENT	TOP	6" FNPT
N6	NORMAL VENT	TOP	2" FNPT
N7	DISPENSE	TOP	2" FNPT

NO.	REVISION/ISSUE	DATE

CUSTOMER INFORMATION  
BHTS20150

DRAWN BY: CRP	DRAWING NUMBER: TANK #1
REVIEWED BY: MEJ	DRAWING DATE: 03/14/14
SCALE: NTS	QUOTE NUMBER: BHTS20150
CAD FILE NAME: 2000 GAL FS BHTS20150.DWG	

Corporate Centre 200  
PO Box 160  
Marion, IA 52302-0160  
T 319.377.6357  
F 319.377.0075  
www.acterragroup.com  
Info@acterragroup.com

DISCLAIMERS

THIS DRAWING IS THE PROPERTY OF ACTERRA GROUP, INC. AND IS SUBMITTED AS A CONFIDENTIAL DISCLOSURE. ALL RIGHTS TO REPRODUCE THIS DRAWING AND THE ARTICLES THEREIN ARE EXPRESSLY RESERVED. THIS DOCUMENT AND ITS CONTENTS SHALL BE CONSIDERED INTELLECTUAL PROPERTY OF THE ACTERRA GROUP, INC., THEREFORE, THE USE OF THE DOCUMENT AND ITS CONTENTS ARE STRICTLY PROHIBITED WITHOUT THE WRITTEN APPROVAL OF THE ACTERRA GROUP, INC. THE SIZES, DIMENSIONS, THICKNESS, ETC... ARE NOT INTENDED TO REPLACE OR REPRESENT NECESSARY ENGINEERING CALCULATIONS. THE SIZES, DIMENSIONS, THICKNESS, ETC... ARE NOT TO SUPERSEDE EXISTING TANK LAWS, REGULATIONS OR STANDARDS.

APPROVAL

CUSTOMER: \_\_\_\_\_  
DATE: \_\_\_\_\_

FNAME

REVDATE

USER