

Balcrank



HOSE REELS

Fluid Dispensing Systems

HOSE REELS



HOSE REELS | SIGNATURE™ SERIES

HOSES REELS

FEATURES & BENEFITS

Eight position locking precision die cast latch mechanism, with secure easy-touch pull release

Machined thick wall hub parts for high strength and pressure capability

Heavy gauge stamped rims, outlet arm, and base.

Easy hose replacement due to single-arm outlet design

Five-position outlet arm for ceiling, wall, or tank-top hose reel mounting

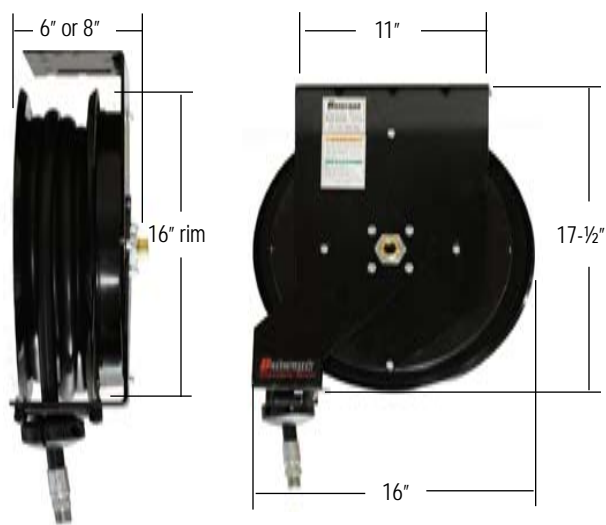
Tangential outlet position to reduce hose bending over outlet rollers

Wide six-roller outlet prevents hose pinch, reduces hose wear

Ball stops are included with hose



DIMENSIONS



Reference SB2002

BENEFITS

Easy To Install:

- Compact design to fit small spaces
- Ceiling, wall, tank mount, cabinet or mobile lube

Proven Design:

- Excess spring torque assures a reliable hose return
- Power Spring is designed for high reliability

Built to Last:

- Thick wall fluid swivel and hub
- Heavy gauge stamped rims, arms, and base
- Wide-Beam structural design for stiffness

Full Range of Model Choices:

- 30,40, & 50 feet hose lengths available Styles for air, water, oil, and grease
- Custom powder coat paint colors available (Pg. 61)

AIR/WATER/COOLANT/WW	Model Number	Hose Size	Bare Reel	Outlet Hose	Inlet Hose
3/8" Hose: Max. WP - 300 PSI Outlet Thread - 1/4" NPT(M)	2120-014	30' x 3/8"	2120-016	8134-030	8141-002 ⁽¹⁾⁽²⁾
	2120-005	40' x 3/8"	2120-017	8134-040	8141-002 ⁽¹⁾⁽²⁾
1/2" Hose: Max. WP - 300 PSI Outlet Thread - 1/2" NPT(M)	2120-015	50' x 3/8"	2120-017	8134-050	8141-002 ⁽¹⁾⁽²⁾
	2120-021*	30' x 3/8"	2120-016	8134-030	8141-002 ⁽¹⁾⁽²⁾
**Nitrogen Green Hose: Max. WP - 300 PSI	2120-020	50' x 1/2"	2120-017	8141-050	8141-002 ⁽¹⁾⁽²⁾
	2120-025**	30' x 3/8"	2120-017	8135-030	8141-002 ⁽¹⁾⁽²⁾
	2120-026**	50' x 3/8"	2120-017	8135-050	8141-002 ⁽¹⁾⁽²⁾

OIL, ATF	Model Number	Hose Size	Bare Reel	Hose	Inlet Hose
1/2" Hose: Max. WP - 3,000 PSI Outlet Thread - 1/2" NPT(M)	2120-011	30' x 1/2"	2120-016	8241-030	8249-002 ⁽¹⁾⁽²⁾
	2120-012	40' x 1/2"	2120-017	8241-040	8249-002 ⁽¹⁾⁽²⁾
	2120-013	50' x 1/2"	2120-017	8241-050	8249-002 ⁽¹⁾⁽²⁾
	2120-022*	16' x 1/2"	2120-016	8241-016	8249-002 ⁽¹⁾⁽²⁾

GREASE	Model Number	Hose Size	Bare Reel	Outlet Hose	Inlet Hose
1/4" Hose: Max. WP - 5,000 PSI Outlet Thread - 1/4" NPT(M)	2120-001	30' x 1/4"	2120-018	8321-030	8332-002 ⁽¹⁾
	2120-002	40' x 1/4"	2120-019	8321-040	8332-002 ⁽¹⁾
3/8" Hose: Max. WP - 4,000 PSI	2120-006	50' x 1/4"	2120-019	8321-050	8332-002 ⁽¹⁾
	2120-003	30' x 3/8"	2120-018	8331-030	8332-002 ⁽¹⁾
	2120-004	40' x 3/8"	2120-019	8331-040	8332-002 ⁽¹⁾
	2120-007	50' x 3/8"	2120-019	8331-050	8332-002 ⁽¹⁾

DIESEL FUEL	Model Number	Hose Size	Bare Reel	Outlet Hose	Inlet Hose
3/4" Hose: Max. WP - 50 PSI Outlet Thread - 3/4" NPT(M)	2120-024	30' x 3/4"	2120-027	8466-030	8466-002

BARE REELS	Model Number	Max Hose Capacity Lgth.	Max Hose Capacity Dia.	Bare Reel WP (PSI)	Thread Size NPT(F)		Reel Dimensions		
					Inlet	Outlet	L	W	H
	2120-016	40'	1/2"	3,000	1/2"	1/2"	16"	6"	17.5"
	2120-017	50'	1/2"	3,000	1/2"	1/2"	16"	8"	17.5"
	2120-018	40'	3/8"	5,000	3/8"	1/4"	16"	6"	17.5"
	2120-019	50'	3/8"	5,000	3/8"	1/4"	16"	8"	17.5"

* Signature™ Series Reels less Outlet Arm for workbench mounting.

- (1).... Inlet hoses are not included with Signature™ Series Open Hose Reels.
Be sure to order inlet hoses separately.
- (2).... Use 90° swivel union model 3270-051.

Roller Outlet Kits - For use on Signature™ Series Reels without outlet arms mounted in workbenches.

831372 - 4 roller kit
831315 - 6 roller kit

HOSE REELS | PREMIUM™ SERIES

HOSES REELS

FEATURES & BENEFITS

16-position locking heavy duty cast latch mechanism with secure easy-touch pull release

Heavy gauge stamped rims and plate steel structural parts

Machined thick wall hub parts for strength and high pressure capability

Ready to install: a 2 ft. inlet hose is included with each complete reel

Dual outlet arm for strength and rigidity

Spool supported on both sides by a unitized heavy duty frame and long-life journal bearings.

Powder coated for corrosion resistance; custom colors available

Adjustable outlet arm for ceiling, wall, or tank-top reel mounting

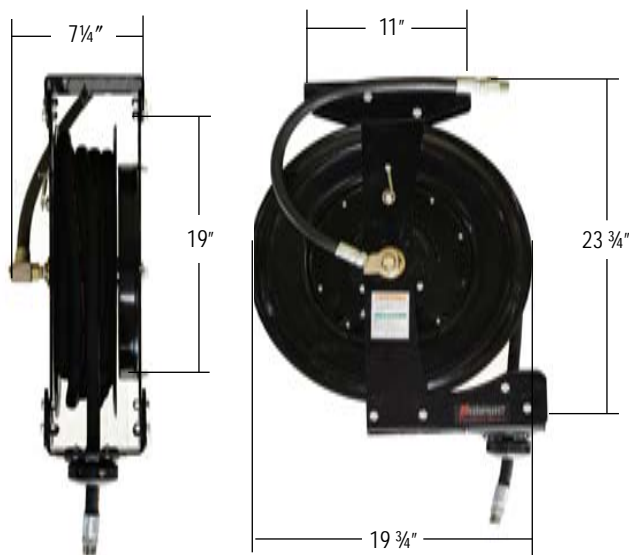
Sliding roller outlet prevents hose stack-up

Circular, six-roller outlet prevents hose pinch, reduces hose wear

Ball stops are included with hose



DIMENSIONS



Reference SB2015

BENEFITS

Dependable Performance:

- Excess spring torque assures a reliable hose return
- Power spring is designed for high reliability
- Full flow porting through the hub
- Durable, heavy duty latch mechanism
- Six-roller outlet protects against hose pinch

Heavy Duty Design:

- Thick wall swivel hub.
- Double journal bearings
- Heavy gauge stamped rims
- Structural plate steel frame
- Double side arm support
- High-strength roller outlet

Full Range of Model Choices:

- 40-, 50-, and 60- ft hose lengths available
- Styles for air, water, oil, and grease
- Custom powder coat paint colors available (Pg. 61)
- Ceiling, wall, tank mount, or mobile lube

AIR/WATER/COOLANT/WW	Model Number	Hose Size	Bare Reel	Outlet Hose	Inlet Hose
3/8" Hose: Max. WP - 300 PSI Outlet Thread - 1/4" NPT(M)	2111-014*	40' x 3/8"	2111-024	8134-040	8141-002
	2111-015*	50' x 3/8"	2111-023	8134-050	8141-002
1/2" Hose: Max. WP - 300 PSI Outlet Thread - 1/2" NPT(M)	2111-016*	60' x 3/8"	2111-023	8134-060	8141-002
	2111-018*	40' x 1/2"	2111-024	8141-040	8141-002
	2111-019*	50' x 1/2"	2111-022	8141-050	8141-002
	2111-020*	60' x 1/2"	2111-022	8141-060	8141-002

OIL/ATF	Model Number	Hose Size	Bare Reel	Outlet Hose	Inlet Hose
1/2" Hose: Max. WP - 3,000 PSI Outlet Thread - 1/2" NPT(M)	2111-010*	40' x 1/2"	2111-024	8241-040	8249-002
	2111-011*	50' x 1/2"	2111-022	8241-050	8249-002
	2111-012*	60' x 1/2"	2111-022	8241-060	8249-002

GREASE	Model Number	Hose Size	Bare Reel	Outlet Hose	Inlet Hose
1/4" Hose: Max. WP - 5,000 PSI Outlet Thread - 1/4" NPT(M)	2111-002*	40' x 1/4"	2111-025	8321-040	8332-002
	2111-003*	50' x 1/4"	2111-021	8321-050	8332-002
	2111-004*	60' x 1/4"	2111-021	8321-060	8332-002
3/8" Hose: Max. WP - 4,000 PSI Outlet Thread - 1/4" NPT(M)	2111-006*	40' x 3/8"	2111-025	8331-040	8332-002
	2111-007*	50' x 3/8"	2111-021	8331-050	8332-002
	2111-008*	60' x 3/8"	2111-021	8331-060	8332-002

BARE REELS

Model Number	Max Hose Capacity		Bare Reel WP (PSI)	Thread Size NPT(F)		Reel Dimensions		
	Lgth.	Dia.		Inlet	Outlet	L	W	H
2111-021*	60'	3/8"	8,000	3/8"	1/4"	19.75"	7.5"	23.75"
2111-022*	60'	1/2"	3,000	1/2"	1/2"	19.75"	7.5"	23.75"
2111-023 ^{(1)*}	60'	1/2"	3,000	1/2"	1/2"	19.75"	7.5"	23.75"
2111-024*	40'	1/2"	3,000	1/2"	1/2"	19.75"	7.5"	23.75"
2111-025*	40'	3/8"	8,000	3/8"	1/4"	19.75"	7.5"	23.75"

Premium™ Series reels are sold in three configurations: ceiling mount, wall or side mount, and base mount. The following rules apply to make purchasing hose reels quick and simple:

- * When ordering ceiling mounted reels, use the current model number.
- When ordering wall or side mounted reels, use the current model number and add the suffix S.
- When ordering base mounted reels, use the current model number and add the suffix B.

(1)... Air/Water applications only.

HOSE REELS | PREMIUM™ EVX SERIES

HOSES REELS

FEATURES & BENEFITS

Large Hose capacity – handles a maximum of 100 ft. of hose, depending on fluid application and hose diameter.

Ball stops are included with hose

Rectangular Shaped roller outlet – prevents hose pinch and stacking.

Dual outlet arm – for rigidity and strength

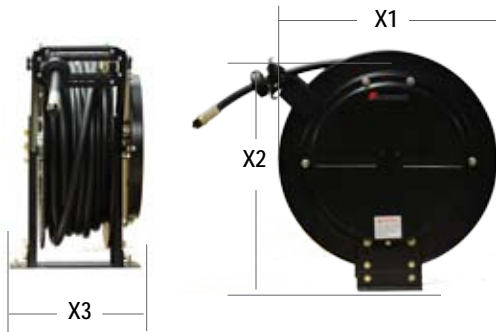
Powder coated – for a lifetime finish.

Spring canister – protects power spring from corrosion caused by the elements.

Heavy gauge steel base – ideal for mobile equipment application.



Dimensions



Reference SB2020

Model Number	X1	X2	X3
2310-018	21.000	20.750	12.375
2310-019	21.000	20.750	12.375
2310-020	21.000	20.750	12.375
2310-021	23.000	22.000	17.500
2310-022	23.000	22.000	17.500
2310-023	21.000	20.750	12.375

BENEFITS

- **Versatile installation:**
Tank or mobile lube mounting.
- **Improved steel construction; base, uprights, outlet arm:**
Provides substantial rigidity and strength
- **Double supported hose outlet arm:**
Provides extra support for larger hose diameters and mobile equipment applications
- **NEW, ball-bearing performance :**
Designed to reduce torque load of power spring and provides smooth hose retraction and long term reliability
- **High-volume design:**
Reduces fill rate time and improves overall efficiency.
- **Model choices:**
air/water, lube, grease and diesel.
- Models ordered with outlet hose include hose stop and 3' inlet hose.

AIR/WATER/COOLANT/WW	Model Number	Hose Size	Bare Reel	Outlet Hose	Inlet Hose
1/2" Hose: Max. WP - 150 PSI Outlet Thread - 1/2" NPT(M)	2310-018	1/2" x 100'	2310-023	8141-100	8141-003

OIL/ATF	Model Number	Hose Size	Bare Reel	Outlet Hose	Inlet Hose
1/2" Hose: Max. WP - 2,000 PSI Outlet Thread - 1/2" NPT(M)	2310-019	1/2" x 100'	-	8241-100	8241-003

GREASE	Model Number	Hose Size	Bare Reel	Outlet Hose	Inlet Hose
3/8" Hose: Max. WP - 4,000 PSI Outlet Thread - 3/8" NPT(M)	2310-020	3/8" x 100'	-	8333-100	8333-003

DIESEL	Model Number	Hose Size	Bare Reel	Outlet Hose	Inlet Hose
1" Hose: Max. WP - 50 PSI Outlet Thread - 1" NPT(M)	2310-021	1" x 65'	2310-022	8481-065	8481-003

BARE REELS	Model	Max Hose Capacity	Bare Reel	Thread Size NPT(F)	Fluid Type	
		lgth	WP(PSI)	Inlet	Outlet	
	2310-022	65'	1250	1"	1"	Oil
	2310-023	100'	650	1/2"	1/2"	Air/Water

Approximate Weight of reel with hose:

2310-018	75 lbs.
2310-019	85 lbs.
2310-020	95 lbs
2310-021	95 lbs.
2310-022	86 lbs.
2310-023	60 lbs



HOSE REELS | ENCLOSED HOSE REELS

HOSES REELS

FEATURES & BENEFITS

- 30' to 60' styles of Signature™ and Premium™ Series available
- All steel cabinet has high quality, powder coat finish prevents corrosion
- Custom paint colors available upon request to match lifts and work benches
- All-directional hose outlets prevent hose pinch
- Strong, rigid steel mounting structure
- Inlet hoses and ball stops are included for quick and easy installation



Side enclosure panels and reel inlet hoses are included with all Deluxe cabinet reels; model choices are listed in the table below. Refer to page 61-62 to select end panels and mounting accessories. Reference SB2009.

AIR/WATER/COOLANT/WW	Signature Series	Premium Series	Hose Size	Outlet Hose	Inlet Hose
3/8" Hose: Max. WP - 300 PSI Outlet Thread - 1/4" NPT(M)	2220-010		30' x 3/8"	8134-030	8141-002
	2220-011		40' x 3/8"	8134-040	8141-002
		2211-012	50' x 3/8"	8134-050	8141-002
		2211-013	60' x 3/8"	8134-060	8141-002

OIL, ATF	Signature Series	Premium Series	Hose Size	Outlet Hose	Inlet Hose
1/2" Hose: Max. WP - 3,000 PSI Outlet Thread - 1/4" NPT(M)	2220-008		30' x 1/2"	8241-030	8249-002
	2220-005		40' x 1/2"	8241-040	8249-002
		2211-009	50' x 1/2"	8241-050	8249-002
		2211-015	60' x 1/2"	8241-060	8249-002

GREASE	Signature Series	Premium Series	Hose Size	Outlet Hose	Inlet Hose
1/4" Hose: Max. WP - 5,000 PSI Outlet Thread - 1/4" NPT(M)	2220-001	2211-001	30 x 1/4"	8321-030	8332-002
	2220-004		40 x 3/8"	8331-040	8332-002
3/8" Hose: Max. WP - 4,000 PSI Outlet Thread - 1/4" NPT(M)		2211-007	50' x 3/8"	8321-050	8332-002
		2211-017	60' x 3/8"	8331-060	8332-002

ELECTRIC LIGHT CORD*	Model Number	Cord Size	Cord* Reel
	2530-001	50' x 18 gauge	2510-010

* please see page 105

HOSE REELS | ENCLOSED REEL ACCESSORIES

END & SIDE PANELS

2230-014 - SIGNATURE™ / PREMIUM MOUNTING CHANNEL PLATE



Includes two panels.

Simplified system for using open hose reels with a Balcrank mounting channel. One person installation is made easy, as this lighter weight plate is bolted to the mounting channel, providing a plug & stay mounting of Signature or Premium open reels.

2230-001 - End Panels Black Poly

2230-022 - End Panels Metal - see custom paint colors below

2230-023 - End Panels White Poly

810612 - Side Panels Black Poly



2230-014

2230-002 - I-BEAM MOUNTING BRACKET

MOUNTING CHANNELS



Mounting Bracket Kit: Attaches channel to facility mounting structure. Use two bracket kits for 2, 3 or 4 reels. Use 3 brackets for 5 or 6 reels.



For 1 to 6-Reel Banks:
Use selection table shown below.

MODEL	NO. OF REELS	DIMENSIONS
2230-003	one	7 3/4" x 9 3/4"
2230-004	two	7 3/4" x 19 1/2"
2230-005	three	7 3/4" x 29 1/4"
2230-006	four	7 3/4" x 39"
2230-007	five	7 3/4" x 48 3/4"
2230-008	six	7 3/4" x 58 1/2"

CUSTOM PAINT COLORS

CUSTOM and SPECIAL color painted reels can add style to an installation and set it apart from others!

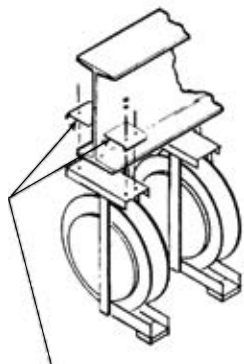
Custom colors are available on all open and enclosed reels. Balcrank's STANDARD paint colors for reels are gloss and textured black. A SPECIAL color is the customer's choice of the other colors in Balcrank's inventory. These paint colors are: yellow, white, blue, silver, red, and green. All SPECIAL color reel orders will require a minimum of 2 week lead time. CUSTOM colors are also available on open and enclosed reels. Balcrank will purchase these CUSTOM colors based on specifications supplied by the customer. All CUSTOM colors will require a minimum of 6 week lead time.

HOSE REELS | REEL ACCESSORIES

HOSES REELS

2230-013 - SIGNATURE™ / PREMIUM MOUNTING PLATE KIT

Attaches single Premium Series reels directly to structural beams with 4-1/2" to 6-1/2" flange widths. Model 2230-013 may be used to mount Premium Series reels to Balcrank hose reel mounting channels. (NOTE: Not to be used with Premium EVX Hose Reels)



2230-013 mounting bracket pair

2230-016 - SIGNATURE™ / PREMIUM MOUNTING ADAPTER PLATE KIT

The purpose of the kit is to facilitate the field installation of a Balcrank Signature™ Series Hose Reel onto a previously installed Graco mounting plate or Graco Series 250 and 350 hose reels. The mounting plate is designed to be used on Signature™ Series Hose Reels

TANK SADDLE

Use our exclusive saddle bracket, Model 4520-006 to quickly attach Balcrank hose reels to any 275 gallon oval or 550 gallon cylindrical tank. One step attachments, no welding or tank modifications required. Order separate vent kit, Model 4520-007, to attach to saddle to standard oval tanks at the vent cap location.
SB 4013



4520-007

2230-017 - SIGNATURE™ / PREMIUM MOUNTING PLATE KIT

This specially configured mounting plate kit was designed to facilitate simple, one person field installation of Signature™ Series Hose Reels to structural beams.



HOSE STOPS



Hose End Stops: Cushion hose return prevent excessive retraction.

MODEL	HOSE I.D.
2230-009	1/4"
2230-010	3/8", 1/2"
2230-011	3/4"
2230-012	1"

LUBE CONSOLE

HOSE REELS

The reliable alternative to hose reels. For quick lubes or other installations where a basement pit space is available. Reference SB2005.

- **Compact Design, Small Space Requirement**

Dimensions: 42" x 9" x 32"
 Floor space - 2.6 sq. ft.
 Reduced loss of work space

- **Premium Features & Finish Quality**

Heavy gauge welded steel cabinet
 Durable powder coat finish
 Premium hose outlets
 Quality-styled to enhance a service area
 Ships with 5 console stops and two hose stops
 Includes lower hose guide assembly

- **Simple and Reliable Hose Management**

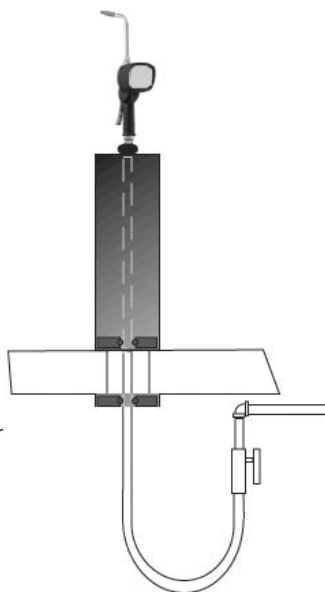
Low cost alternative to hose reels
 Uses shorter hoses than overhead reels
 Gravity hose tethering uses basement pit
 Low maintenance, less downtime

- **Two-Bay Service Capability**

Install between bays for two-station service
 Seven hose outlets
 Use for any automotive service fluids
 Higher equipment utilization

INSTALLATION

Select recommended 16-ft length hoses from the hose table on page 64. Be sure to add hand shutoff valves and hose tethering space as shown in the diagram. Follow architect's guidelines for floor opening. For more information, see SB2005.



Optional second lower hose guide assembly



2600-001 LUBE CONSOLE

2600-003 Lower Hose Guide Assembly (one included)



ACCESSORIES

2230-015 CONSOLE STOP

Unique console stop is designed to attach around the hose of any control handle and fit snugly into the roller hose outlets of the Island Lube Console, Console Extension, and Floor Plate.



2600-006 FLOOR PLATE HOSE GUIDE

Designed as a floor air station, this hose guide is made of 1/8" brushed aluminum and painted steel. Use with 2230-015 console stop.



2600-005 -LUBE CONSOLE EXTENSION

Add-on unit with two hose outlets conveniently installs next to Balcrank's 2600-001 Island Lube Console for added capacity. Ships with 2 console stops. Reference SB2006.



2600-007 -CEILING PLATE

Basement ceiling plate with two hose outlets.

HOSE REELS | REPLACEMENT HOSES

For complete hose model specification, combine "Model Prefix" in column 1 with a "Length Suffix" in the right-hand table.
 Example: Model 8134-030, 3/8" Air/Water Hose, 30 ft. length.

Model Prefix	Hose Type	Hose I.D.	Max WP (PSI)	Hose End Threads (NPT)	2	3	5	6-7	8-10	16	20-25	30	40	50	60	70
8132	Air/Water	3/8"	300	1/4" M...1/4" M	-003	-003	-005					-030	-040	-050	-060	
8134	Air/Water	3/8"	300	1/2" M...1/4" M	-003	-003					-016	-030	-040	-050	-060	
8135	Nitrogen (Green)	3/8"	300	1/4" M...1/2" M								-030		-050		
8136	Air /Water	3/8"	300	3/8" M...3/8" M	-003	-003	-005									
8141	Air/Water	1/2"	300	1/2" M...1/2" M	-002	-003	-005	-006	-010	-016	-020	-030	-040	-050	-060	
8144	Air/Water	1/2"	300	1/2" M...3/8" M	-003	-003	-005									
8161	Air/Water	3/4"	315	3/4" M...3/4" M			-005								-060	070
8181	Air/Water	1"	250	1" MSW...1" MSW	-002			-006						-050		
8231	Oil	3/8"	3,000	3/8" M...3/8" M	-003	-003	-005	-006								
8232	Oil	3/8"	3,000	3/8" M...1/4" M									-040	-050		
8233	Oil	3/8"	3,000	1/2" M...1/2" M					-016			-030		-050		
8241	Oil	1/2"	3,000	1/2" M...1/2" M				-006	-008	-016	-020	-030	-040	-050	-060	-070
8242	Oil	1/2"	3,000	3/8" M...3/8" M	-002	-003	-005	-006	-010		-020	-030		-050		
8249	Oil	1/2"	3,000	1/2" M...1/2" MSW	-002	-004	-005	-006	-010	-016						
8261	Oil	3/4"	1,250	3/4" M...3/4" M		-003	-005	-007	-010		-025			-050		
8262	Oil	3/4"	1,250	1/2" M...1/2" M					-010		-020	-030		-050		
8263	Oil	3/4"	1,250	3/4" M...1/2" M	-002				-010		-020	-030		-050	-060	
8264	Oil	3/4"	2,250	3/4" M...3/4" MSW			-005									
8266	Oil	3/4"	2,250	3/4" M...1" M	-002			-006								
8321	Grease	1/4"	5,000	1/4" M...1/4" MSW				-007	-016			-030	-040	-050	-060	
8322	Grease	1/4"	5,000	1/2-27 F...1/2-27 F	-002	-003	-005		-010		-020			-050		
8323	Grease	1/4"	5,000	1/4" M...3/8" M				-007				-030		-050		
8331	Grease	3/8"	4,000	1/4" M...1/4" MSW	-002	-003	-005	-007	-010	-016	-020	-030	-040	-050	-060	
8332	Grease	3/8"	4,000	1/4" M...3/8" M	-002		-005					-030		-050	-060	
8333	Grease	3/8"	4,000	3/8" M...3/8" M	-002	-002	-005	-007				-030		-050	-060	
8466	Diesel	3/4"	50	3/4" M...3/4" M	-002							-030		-050		
8481	Diesel	1"	50	1" M...1" M	-002									-050		